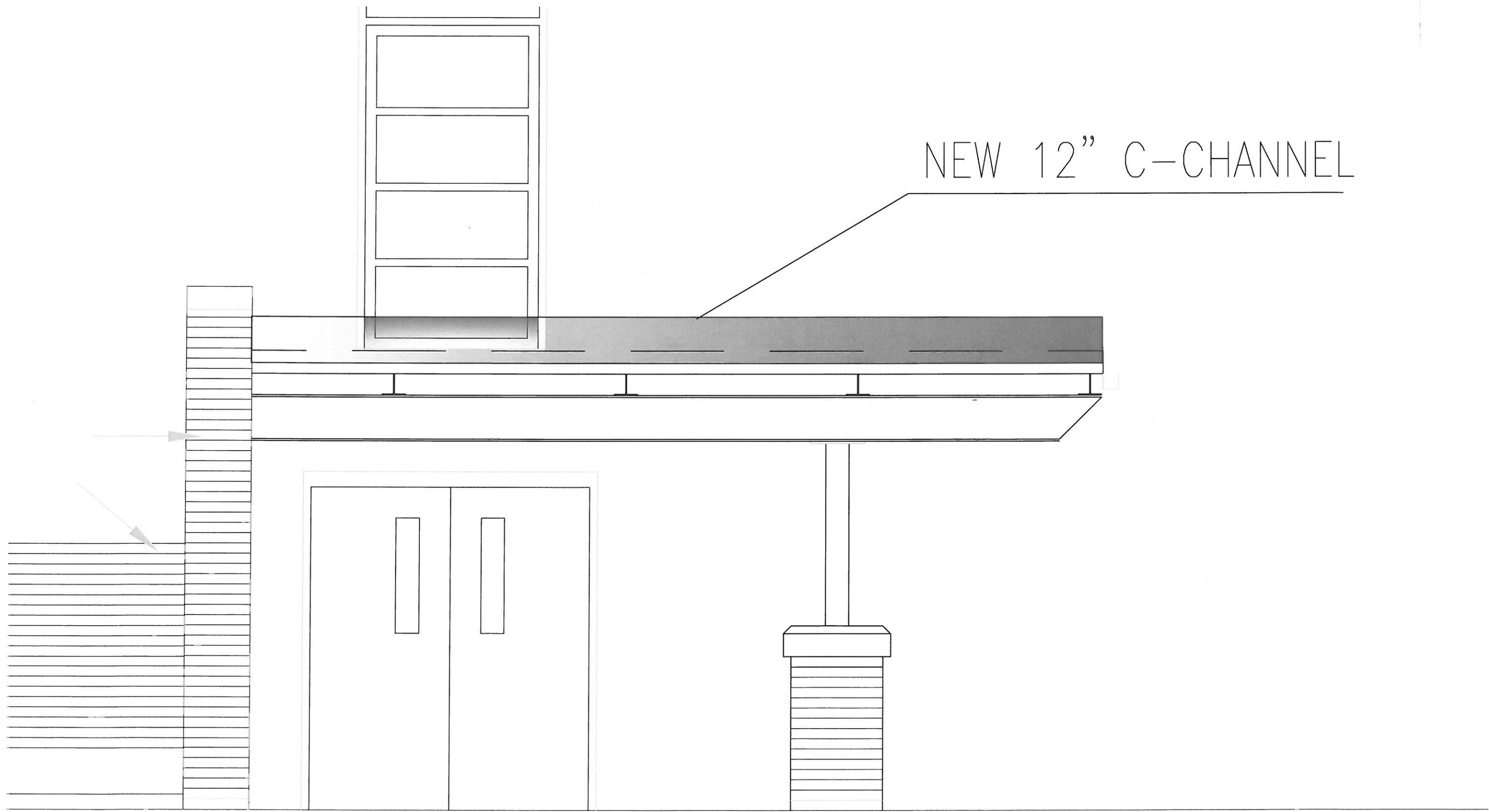
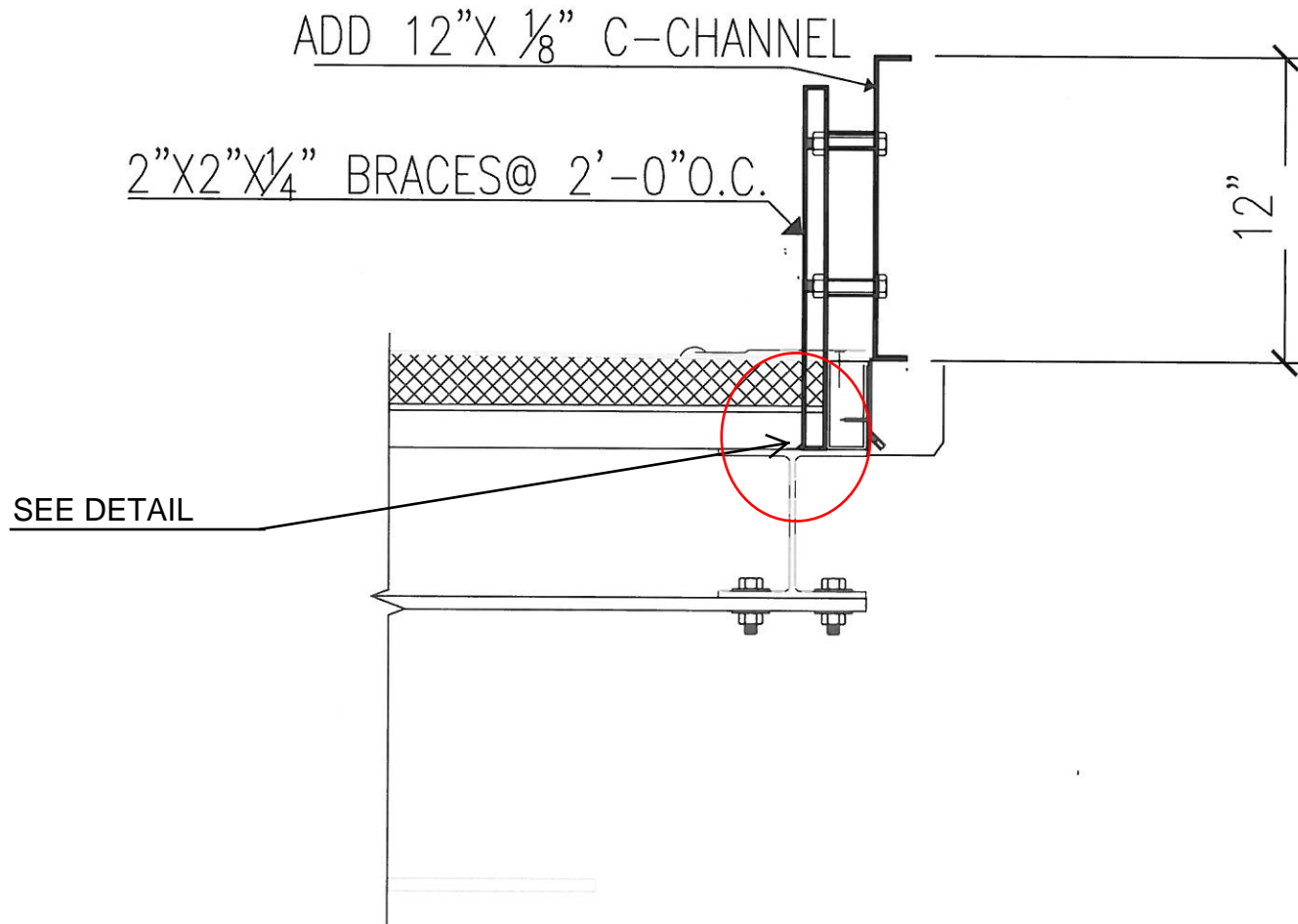


NEW 12" C-CHANNEL



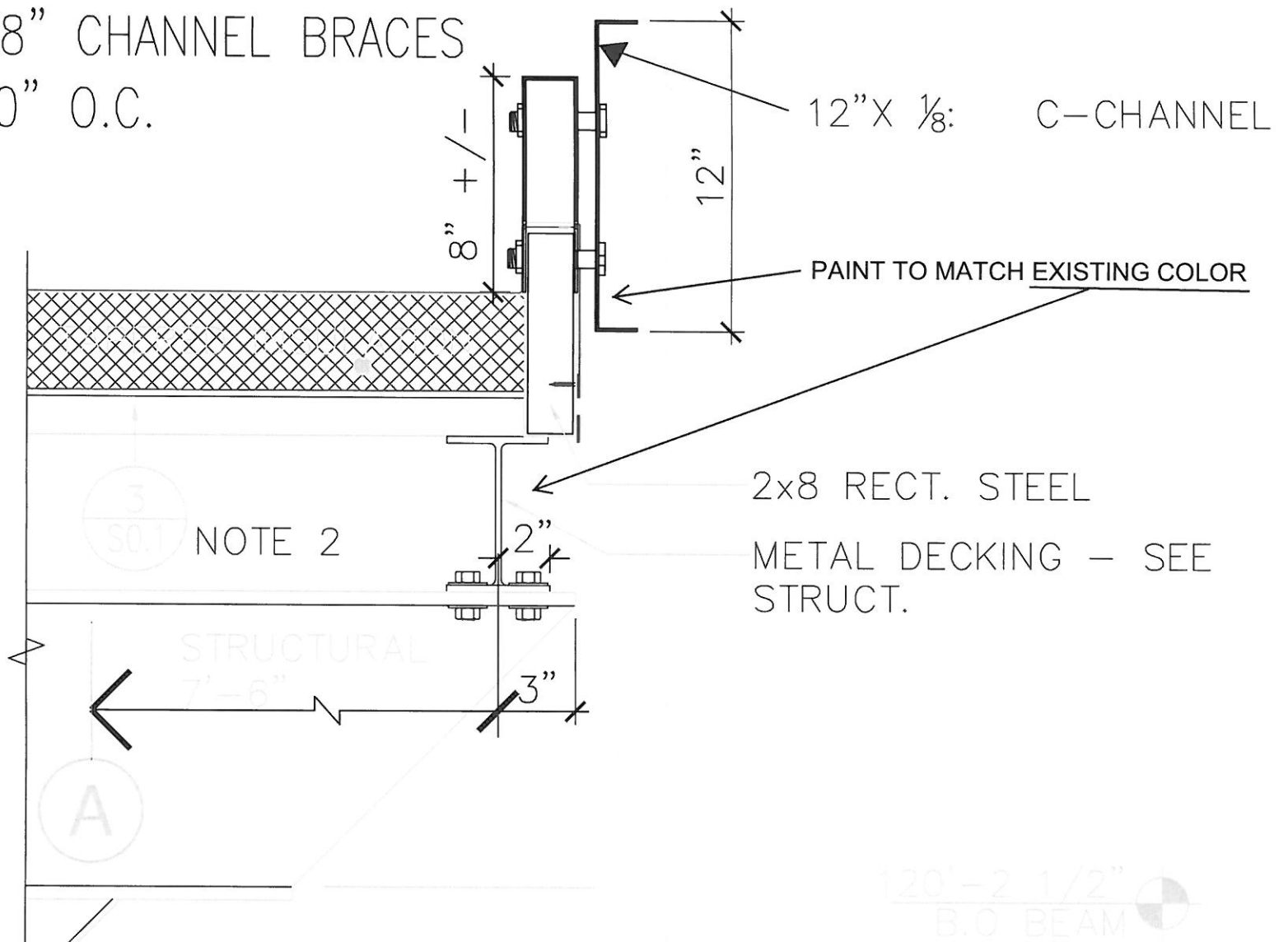


**EAST-WEST SEGMENT  
EXTERIOR CANOPY**

7

SCALE: 1 1/2" = 1'-0"

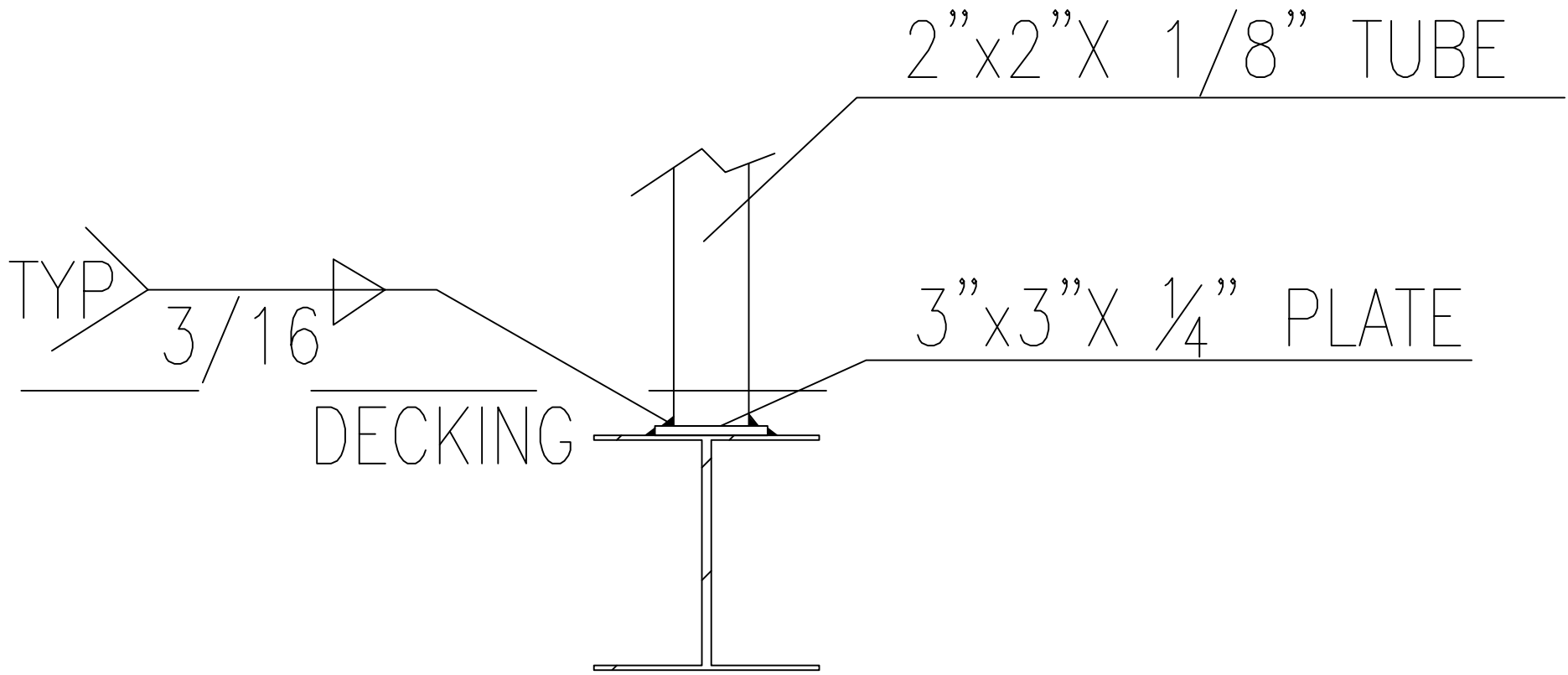
ADD 2" x 8" CHANNEL BRACES  
EVERY 2'-0" O.C.



# REVISION TO WEST FASCIA EXTERIOR CANOPY

1A

SCALE: 1 1/2" = 1'-0"



CONNECTION DETAIL FOR 2'' X 2'' BRACES