



REQUEST FOR PROPOSAL

Project Title: Cooley Laboratory Renovation
Location: Montana State University

PPA No.: 10-0023
RFP No.: 69
Date: September 10, 2012

To: Dick Anderson Construction
4498 Jackrabbit Lane
Bozeman, MT 59718

Attention: Platisha

From: Cecilia Vaniman, Project Manager
Cooley Lab Renovation
Montana State University

Attention:

In order to expedite the Work and avoid or minimize delays in the Work the following information is requested. Please return a response by: 09/17/2012 Date Sent: 09/10/2012 Date Received:

Proposal Requested:

REMOVE & REPLACE SINKS

Scope of work includes; 10801 -15060 - 15450 -

- REMOVE (9) SINKS INSTALLED @ RMS 005RR -105RR-109RR- 205RR- 209RR- 305RR- 309RR- 405RR- 409RR
REMOVE (9) MIRRORS INSTALLED @ RMS 005RR -105RR-109RR- 205RR- 209RR- 305RR- 309RR- 405RR- 409RR
REPLACE (9) SINKS WITH Kohler SOHO K-2084 per attachment
REPLACE (9) MIRRORS WITH American Specialties 0620 per attachment

SEE ATTACHED Sink- Kohler SOHO K2084 data sheet 2 pages
Mirror- American Specialties - 0620 1 page

This RFP is for pricing purposes only. The contractor shall not proceed with the scope of work described within until pricing is approved by the owner in writing.

Distribution: [ ] Owner [ ] Agency [x] Architect [x] Contractor [ ] Engineer [ ] Other

### Features

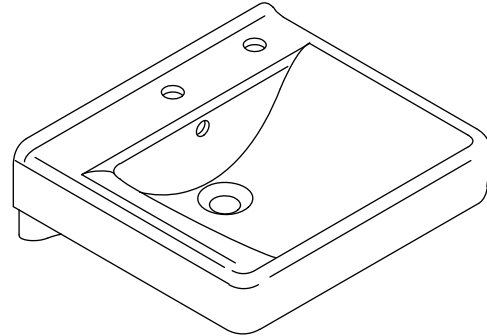
- Vitreous china
- Wall-mount
- Single center hole
- With overflow
- Drilled for concealed arm carrier
- ~~Optional soap dispenser hole on left (-L) or right (-R)~~
- 20" (508 mm) x 18" (457 mm)

### WALL-MOUNT BATHROOM SINK K-2084

ADA

CSA B651

OBC



### Codes/Standards Applicable

Specified model meets or exceeds the following:

- ADA
- ICC/ANSI A117.1
- CSA B651
- OBC
- ASME A112.19.2/CSA B45.1

### Colors/Finishes

- 0: White
- Other: Refer to Price Book for additional colors/finishes

### Accessories

- CP: Polished Chrome
- Other: Refer to Price Book for additional colors/finishes

### Specified Model

Model	Description	Colors/Finishes	
K-2084	Single-hole bathroom sink less soap dispenser hole	<input checked="" type="checkbox"/> 0	<input type="checkbox"/> Other _____
K-2084-L	Single-hole bathroom sink with soap dispenser hole on left	<input type="checkbox"/> 0	<input type="checkbox"/> Other _____
K-2084-R	Single-hole bathroom sink with soap dispenser hole on right	<input type="checkbox"/> 0	<input type="checkbox"/> Other _____
K-2084-N	Single-hole bathroom sink less overflow	<input type="checkbox"/> 0	<input type="checkbox"/> Other _____
K-2084-NL	Single-hole bathroom sink with soap dispenser hole on left less overflow	<input type="checkbox"/> 0	<input type="checkbox"/> Other _____
K-2084-NR	Single-hole bathroom sink with soap dispenser hole on right less overflow	<input type="checkbox"/> 0	<input type="checkbox"/> Other _____

#### Recommended Accessories

K-8998	Trap	<input type="checkbox"/> CP	<input type="checkbox"/> Other _____
--------	------	-----------------------------	--------------------------------------

### Product Specification

The wall-mount bathroom sink shall be made of vitreous china. Bathroom sink shall be 20" (508 mm) in length, and 18" (457 mm) in width. Bathroom sink shall have single-hole drilling. Bathroom sink shall have overflow. Bathroom sink shall be drilled for concealed arm carrier. ~~Bathroom sink shall have optional soap dispenser hole on left (-L) or right (-R).~~ Bathroom sink shall be Kohler Model K-2084-\_\_\_\_\_.

## Technical Information

Fixture*:	
Basin area	18" (457 mm) x 13" (330 mm)
Water depth	4-7/8" (124 mm)
Drain hole	Ø 1-3/4" (44 mm)
* Approximate measurements for comparison only.	
Spout hole	Ø 1-3/8" (35 mm)
<del>Soap dispenser hole</del>	<del>Ø 1-1/4" (32 mm)</del>

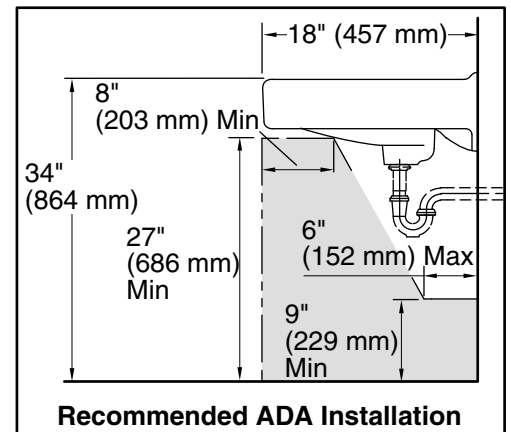
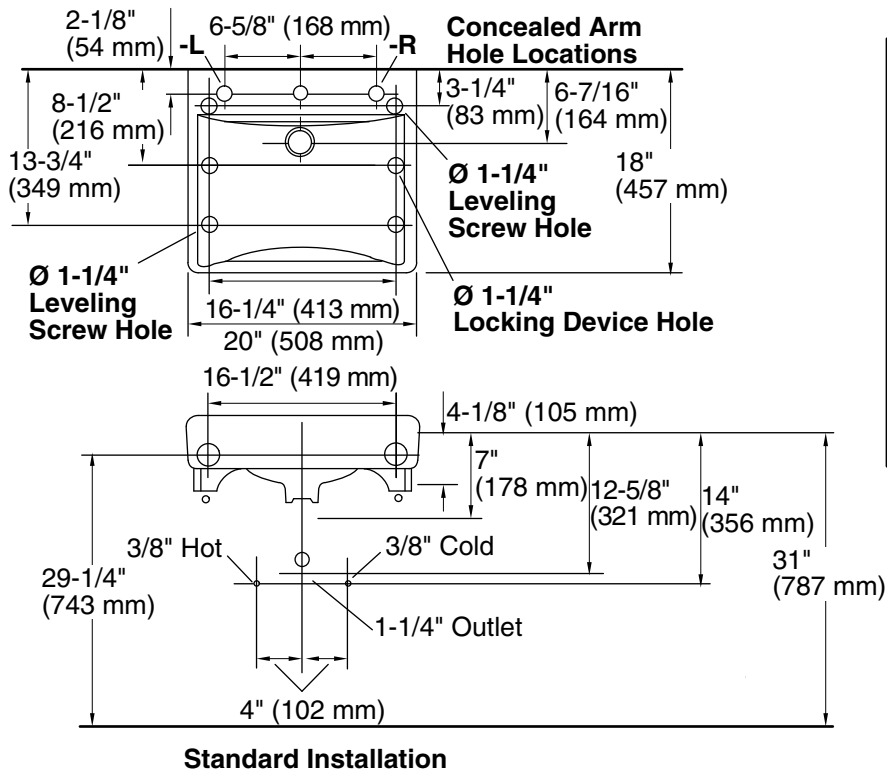
## Installation Notes

Install this product according to the installation guide.

Will comply with **ADA** when installed per Section 606 Lavatories of the Act.

Will comply with **CSA B651** when installed per Clause 4.3.3 of the standard.

Will comply with **OBC** when installed per Clause 3.8.3.11.



## Product Diagram



# AMERICAN SPECIALTIES, INC.

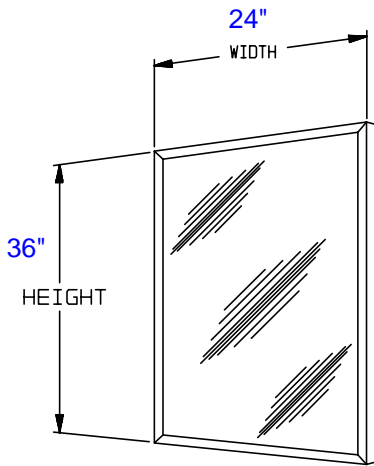
441 Saw Mill River Road, Yonkers, NY 10701 (914) 476-9000  
www.americanspecialties.com

MODEL No: 0620

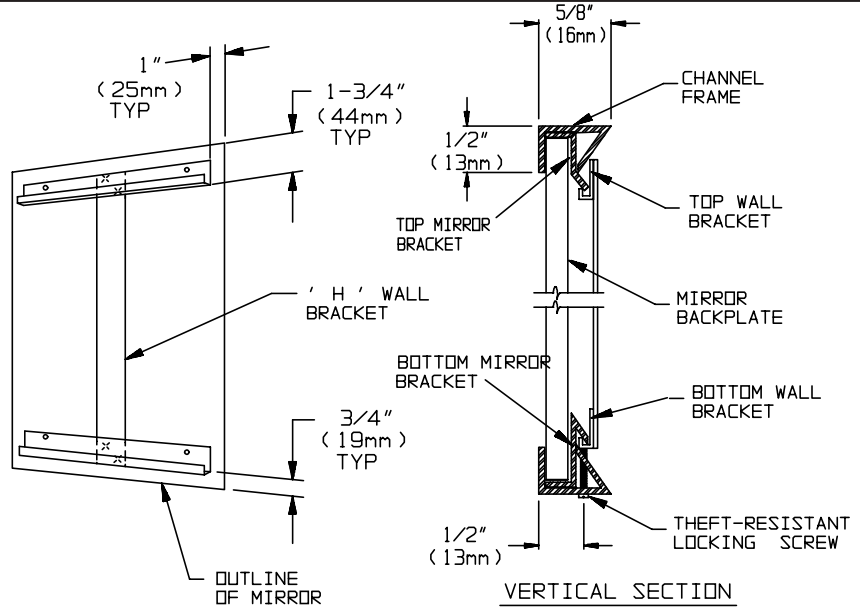
ISSUED: 1-87

REVISED: 4-06

## CHANNEL FRAME MIRROR



PICTORIAL VIEW



VERTICAL SECTION

### SPECIFICATION

Channel Frame Mirror shall have frame fabricated of alloy 18-8 stainless steel, type 304, 20 gauge with mitered corners. Mirror glazing shall be \_\_\_\_ (insert glazing option) and shall be warranted for 15 years against silver spoilage. All edges of mirror shall be protected by friction and chafe absorbing fillers. Back of mirror shall be protected by full size shock-absorbing water-resistant filler and full size one piece 20 gauge corrosion protected steel. Top and bottom wall mounting brackets shall be fabricated of 20 gauge corrosion protected steel and shall be spot welded into "H" hanger. Mirror shall be secured to lower bracket with a Philips Pan Head locking screw.

Channel Frame Mirror shall be Model N<sup>o</sup> 0620- A (insert glazing option)- 24"x36" (note size, W x H) as manufactured by American Specialties, Inc., 441 Saw Mill River Road, Yonkers, New York 10701-4913

### MATERIALS

**Frame** 18-8, type 304, 20 gauge (.036" <.91mm> thick) stainless steel. Unitized all roll-formed one-piece construction. Exposed surfaces have N<sup>o</sup> 4 satin finish. Edges and corners are burr free.

**Glass:** Standard glazing is N<sup>o</sup> 1 quality, 1/4" (6.4mm) thick plate/float glass, silver coated and hermetically sealed with uniform copper plating, and warranted against silver spoilage for 15 years. Mirrors meet Federal Specification DD-M-411C, ASTM C1036-91.

**Filler:** Expanded polyethylene microcell foam sheet material, abrasion resistant and shock absorbing, water resistant, 1/8" inch (3.2mm) total layer thickness.

### FABRICATION NOTE FOR SPECIFICATION

Mirrors larger than 21sq. Ft. (1.95m<sup>2</sup>) are fabricated in two (2) or more sections to provide installation and handling ease.

### INSTALLATION

Install "H" wall brackets level and plumb per diagram location using **ONLY** N<sup>o</sup> 8 or N<sup>o</sup> 10 Pan Head screws (by others). Hang mirror on brackets and tighten locking screw (N<sup>o</sup> 6-32F x 3/4" Philips Pan Head, supplied separately taped to mirror back) at bottom (note: this screw should be started prior to hanging mirror on wall bracket). For compliance with ADA Accessibility Guidelines, bottom edge of reflecting surface should be no higher than 40" (1016mm) above finished floor.

### GLAZING OPTIONS

Units are supplied with 1/4" (6.4mm) thick plate glass. Other glazing options are available. For a complete description of any other available glazing, see the **MIRROR GLAZING OPTIONS** chart.

Accessory Specialties

AMERICAN DISPENSER

Desert Ray Products

WATROUS inc.