



REQUEST FOR PROPOSAL

Project Title: Cooley Laboratory Renovation
Location: Montana State University

PPA No.: 10-0023
RFP No.: 63 r
Date: July 25, 2012

To: Dick Anderson Construction
4498 Jackrabbit Lane
Bozeman, MT 59718

Attention: Platisha

From: Cecilia Vaniman, Project Manager
Cooley Lab Renovation
Montana State University

Attention:

In order to expedite the Work and avoid or minimize delays in the Work the following information is requested. Please return a response by: 08/22/2012 Date Sent: 08/16/2012 Date Received:

Proposal Requested:

PLUMBING FIXTURES @ LEWIS RESTROOM

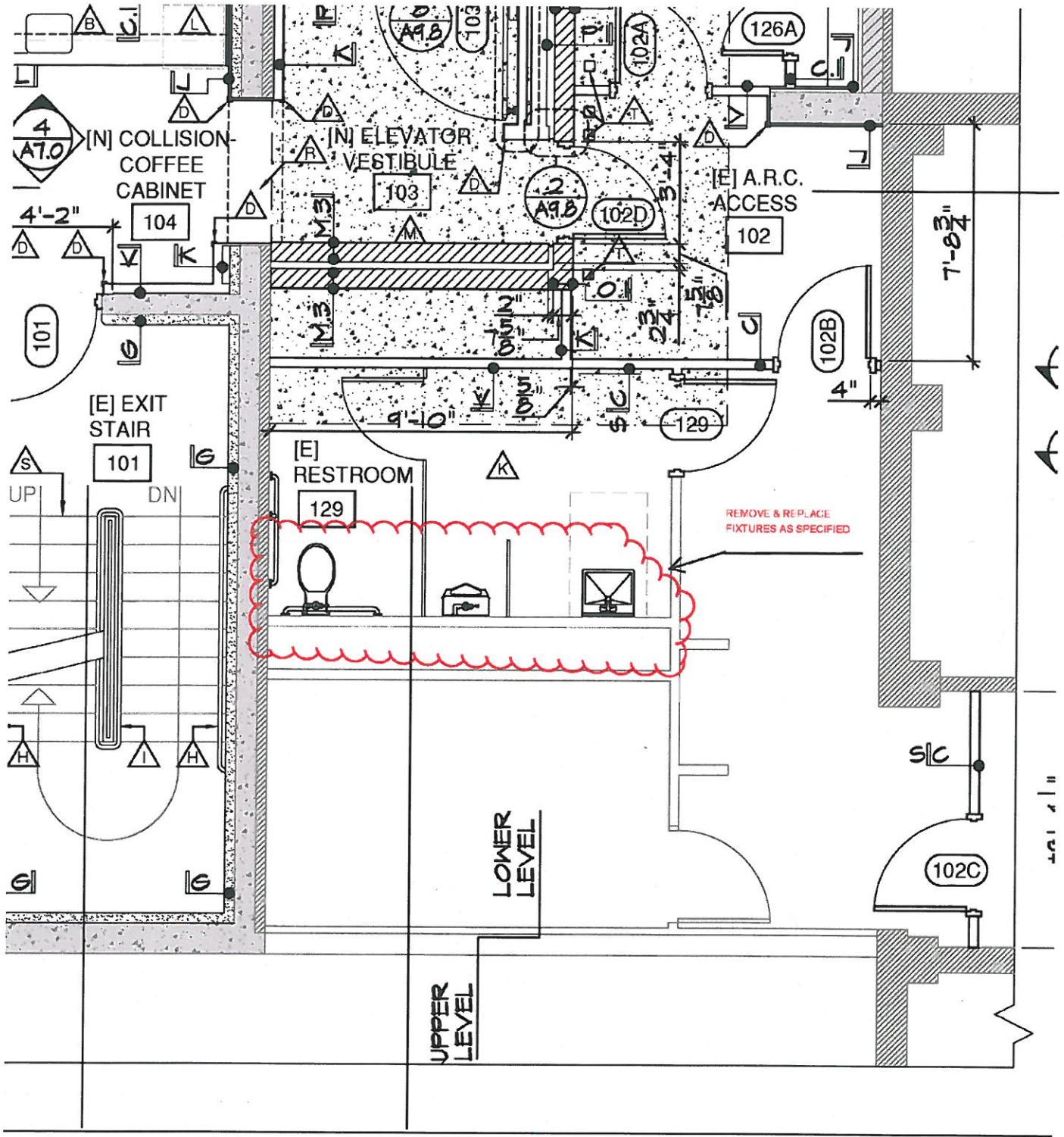
Scope of work includes; Specification 15450 Plumbing Fixtures & Trim

- Water Closet P-1 K4325 Flush Valve as specified Moen 8311
Kohler Lav P-2A 12638 (No soap dispenser) Faucet as specified Moen CA8307
Urinal Kohler Bardon K-4960-ET With flush valve Moen M-Power Model Number 8316

SEE ATTACHED RFP63-1.

This RFP is for pricing purposes only. The contractor shall not proceed with the scope of work described within until pricing is approved by the owner in writing.

Distribution: [] Owner [] Agency [x] Architect [x] Contractor [] Engineer [] Other



RFP 63-1

URINAL K-4960-ET

Features

- Vitreous china
- Washout
- 3/4" top spud
- 14" (356 mm) extended rim
- 0.5 gpf (1.9 lpf) or 1.0 gpf (3.8 lpf)
- WaterSense® compliant when used with WaterSense flushometer

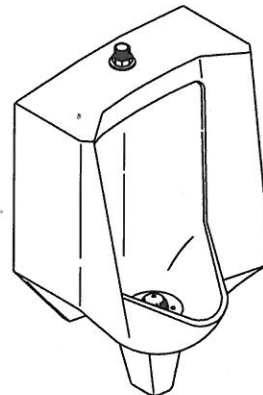
ADA CSA B651



Codes/Standards Applicable

Specified model meets or exceeds the following:

- ADA
- ICC/ANSI A117.1
- CSA B651
- ASME A112.19.2/CSA B45.1
- EPA WaterSense®



Colors/Finishes

- 0: White
- Other: Refer to Price Book for additional colors/finishes

Accessories

- CP: Polished Chrome

Specified Model

Model	Description	Colors/Finishes	
K-4960-ET	3/4" top spud urinal	<input type="checkbox"/> 0	<input type="checkbox"/> Other _____

Recommended Accessories		
K-10675	WAVE exposed washout urinal flushometer – 0.5 gpf (1.9 lpf)	<input type="checkbox"/> CP
K-10676	WAVE exposed washout urinal flushometer – 1.0 gpf (3.8 lpf)r	<input type="checkbox"/> CP
K-10958	Touchless DC washout urinal flushometer – 0.5 gpf (1.9 lpf)	<input type="checkbox"/> CP
K-10960	Touchless DC washout urinal flushometer – 1.0 gpf (3.8 lpf)	<input type="checkbox"/> CP
K-13518	Manual washdown urinal flushometer – 1.0 gpf (3.8 lpf)	<input type="checkbox"/> CP
K-13519	Manual washdown urinal flushometer – 0.5 gpf (1.9 lpf)	<input type="checkbox"/> CP

Product Specification

The washout urinal shall be made of vitreous china with a 3/4" top spud. Urinal shall have a 14" (356 mm) extended rim. Urinal shall use 0.5 gpf (1.9 lpf) or 1.0 gpf (3.8 lpf). Urinal shall be WaterSense compliant when used a WaterSense flushometer. Urinal shall be Kohler Model K-4960-ET-_____.

BARDON™ SUPERIOR

Technical Information

Fixture*:	
Configuration	3/4" top spud urinal
Water per flush	0.5 gal (1.9 L) or 1.0 gal (3.8 L)
Spud inlet size	3/4"
Included components:	
3/4" inlet spud	18376
2" outlet spud	18766
Strainer	85061
Hanger (2 required)	64512

Installation Notes

Install this product according to the installation guide.

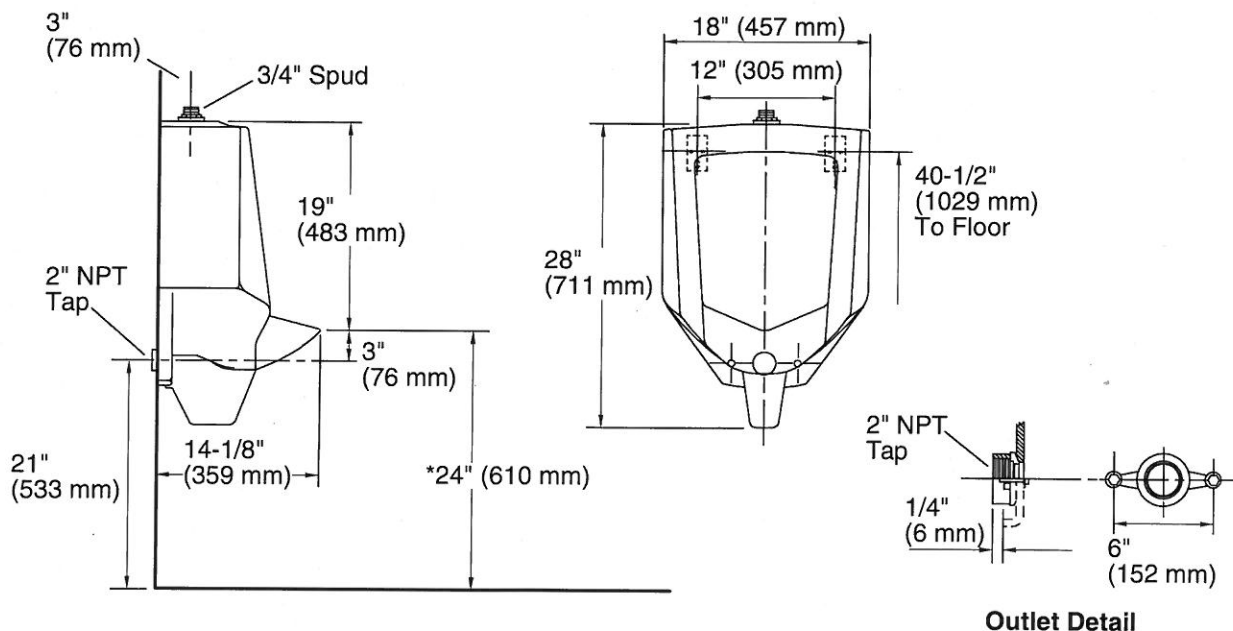
Refer to manufacturer's instructions and local codes for flushometer requirements.

Will comply with **ADA** when installed per Section 605 Urinals of the Act.

Will comply with **CSA B651** when installed per Clause 4.3.8 of the standard.

*Urinal complies with ADA requirements when rim is mounted no higher than 17" (432 mm) from finished floor.

*Urinal complies with CSA B651 when rim is mounted no higher than 16-7/8" (430 mm) from finished floor.



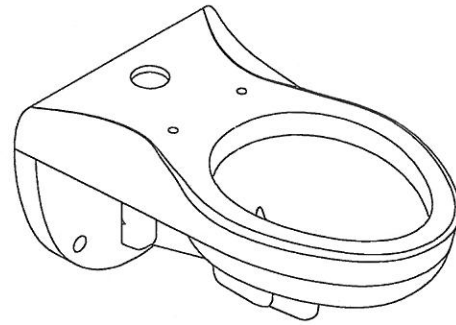
Product Diagram

Features

- Vitreous china
- Elongated bowl
- Siphon jet
- Wall-mount
- With bedpan lugs (-L)
- 1-1/2" top spud
- 1.28 gpf (4.8 lpf) or 1.6 gpf (6 lpf) depending on flushometer specified
- 10-1/2" (267 mm) x 9" (229 mm) water area
- 26-1/2" (673 mm) x 16-1/2" (419 mm) x 13-1/4" (337 mm)
- Will replace K-4330 and K-4330-L bowls

**BOWL
K-4325**

ADA	TAS
CSA B651	OBC



Codes/Standards Applicable

Specified model meets or exceeds the following:

- ADA
- ICC/ANSI A117.1
- TAS
- CSA B651
- OBC
- ASME A112.19.2/CSA B45.1
- Energy Policy Act of 1992

Colors/Finishes

- 0: White
- CP: Polished Chrome
- Other: Refer to Price Book for additional colors/finishes

Specified Model

Model	Description	Colors/Finishes	
K-4325	Bowl – elongated	<input type="checkbox"/> 0	<input type="checkbox"/> Other_____
K-4325-L	Bowl – elongated, with bedpan lugs	<input type="checkbox"/> 0	<input type="checkbox"/> Other_____

Recommended Accessories			
K-4731-C	Stronghold® open-front elongated seat	<input type="checkbox"/> 0	<input type="checkbox"/> Other_____
K-4731-SC	Stronghold open-front elongated seat with integrated handle	<input type="checkbox"/> 0	<input type="checkbox"/> Other_____
K-4731-GC	Stronghold Quiet-Close™ open-front elongated seat	<input type="checkbox"/> 0	<input type="checkbox"/> Other_____
K-10673	WAVE exposed toilet flushometer – 1.28 gpf (4.8 lpf)		<input type="checkbox"/> CP
K-10956	Touchless DC toilet flushometer – 1.28 gpf (4.8 lpf)		<input type="checkbox"/> CP
K-13517	Manual toilet flushometer – 1.28 gpf (4.8 lpf)		<input type="checkbox"/> CP
K-10674	WAVE exposed toilet flushometer - 1.6 gpf (6 lpf)		<input type="checkbox"/> CP
K-10957	Touchless DC toilet flushometer - 1.6 gpf (6 lpf)		<input type="checkbox"/> CP
K-13516	Manual toilet flushometer - 1.6 gpf (6 lpf)		<input type="checkbox"/> CP

Product Specification

The elongated bowl shall be made of vitreous china. Bowl shall be 26-1/2" (673 mm) in length, 16-1/2" (419 mm) in width, and 13-1/4" (337 mm) in height. The bowl shall be wall-mount with a 1-1/2" top spud. Bowl shall have siphon jet. Bowl shall have bedpan lugs (-L). Bowl shall feature 1.28 gpf (4.8 lpf) or 1.6 gpf (6 lpf) depending on flushometer specified. Bowl shall have 10-1/2" (267 mm) x 9" (229 mm) water area. Bowl shall be Kohler Model K-4325-_____.

KINGSTON™

Technical Information

Fixture:	
Configuration	top spud, elongated
Water per flush	1.28 gal (4.8 L) or 1.6 gal (6 L)*
Spud size	1-1/2"
Passageway	2-1/8" (54 mm)
Water area	10-1/2" (267 mm) x 9" (229 mm)
Water depth from rim	5-1/4" (133 mm)
Seat post hole centers	5-1/2" (140 mm)
Minimum static pressure required	35 psi (241.3 kPa)
Maximum static pressure	80 psi (551.6 kPa)
Minimum flowing pressure required	25 psi (172.4 kPa)
Required supply minimum	25 gpm (94.6 lpm)
* Based upon use of a 1.28 gal (4.8 L) or 1.6 gal (6 L) flushometer valve.	

Included components:

Spud	18357
------	-------

Installation Notes

Install this product according to the installation guide.

Refer to manufacturer's instructions and local codes for flushometer requirements.

Will comply with the American Disabilities Act (**ADA**) when installed per the requirements of the Accessibility Guidelines, Section 604 Water Closets, of the Act. The Model Plumbing Codes require the installation of elongated open-front toilet seats in public bathrooms.

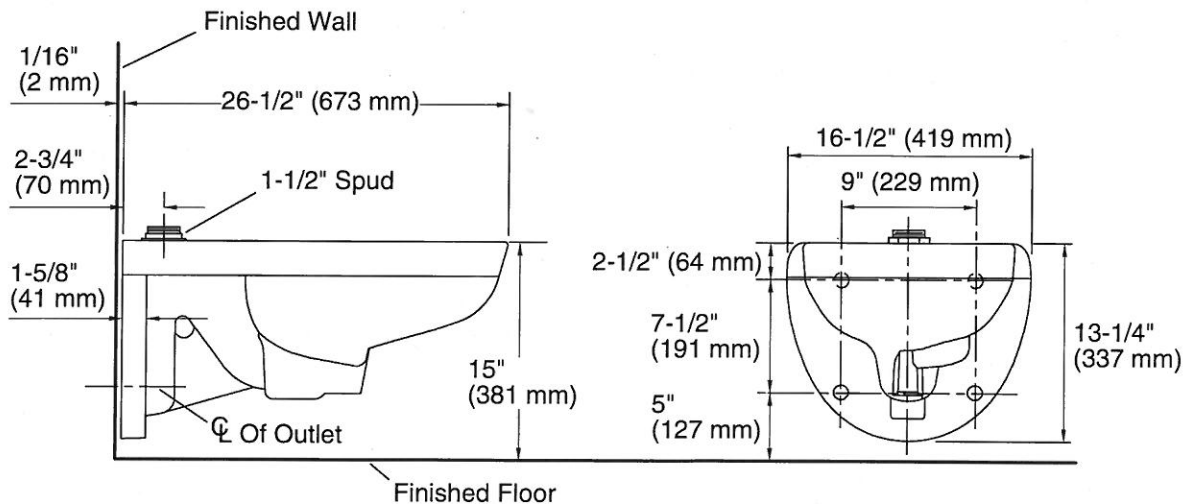
For **TAS** compliance the required seating height with the toilet seat installed is:

Adults – 17" (432 mm) to 19" (483 mm)

Children (Elementary Grade Levels 6 through 8 or 9) – 15" (381 mm) to 17" (432 mm)

Will comply with **CSA B651** when installed per Clause 4.3.6 of the standard.

Will comply with **OBC** Barrier Free requirements when installed per Clause 3.8.3.8 and 3.8.3.9.



Product Diagram

Features

- Vitreous china
- With overflow
- Wall-mount
- Drilled for concealed arm carrier
- Optional soap dispenser hole on left (-L) or right (-R)
- 11-1/2" (292 mm) centers (K-12634), 4" (102 mm) centers (K-12636), or single-hole (K-12638)
- 20" (508 mm) x 27" (686 mm)

WHEELCHAIR BATHROOM SINK

K-12634

ALSO K-12636, K-12638

ADA

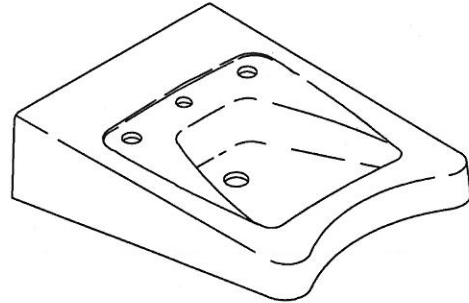
CSA B651

OBC

Codes/Standards Applicable

Specified model meets or exceeds the following:

- ADA
- ICC/ANSI A117.1
- CSA B651
- OBC
- ASME A112.19.2/CSA B45.1



Colors/Finishes

- 0: White
- Other: Refer to Price Book for additional colors/finishes

Accessories

- CP: Polished Chrome

Specified Model

Model	Description	Colors/Finishes	
K-12634	11-1/2" (292 mm) centers bathroom sink less soap dispenser hole	<input type="checkbox"/> 0	<input type="checkbox"/> Other _____
K-12634-L	11-1/2" (292 mm) centers bathroom sink with soap dispenser hole on left	<input type="checkbox"/> 0	<input type="checkbox"/> Other _____
K-12634-R	11-1/2" (292 mm) centers bathroom sink with soap dispenser hole on right	<input type="checkbox"/> 0	<input type="checkbox"/> Other _____
K-12636	4" (102 mm) centers bathroom sink less soap dispenser hole	<input type="checkbox"/> 0	<input type="checkbox"/> Other _____
K-12636-L	4" (102 mm) centers bathroom sink with soap dispenser hole on left	<input type="checkbox"/> 0	<input type="checkbox"/> Other _____
K-12636-R	4" (102 mm) centers bathroom sink with soap dispenser hole on right	<input type="checkbox"/> 0	<input type="checkbox"/> Other _____
K-12638	Single-hole bathroom sink less soap dispenser hole	<input type="checkbox"/> 0	<input type="checkbox"/> Other _____
K-12638-L	Single-hole bathroom sink with soap dispenser hole on left	<input type="checkbox"/> 0	<input type="checkbox"/> Other _____
K-12638-R	Single-hole bathroom sink with soap dispenser hole on right	<input type="checkbox"/> 0	<input type="checkbox"/> Other _____

Product Specification

The wheelchair bathroom sink shall be made of vitreous china. The bathroom sink shall be 20" (508 mm) in length, and 27" (686 mm) in width. The bathroom sink shall have 11-1/2" (292 mm) centers (K-12634), 4" (102 mm) centers (K-12636), or single-hole (K-12638). The bathroom sink shall be wall-mount, and drilled for concealed arm carrier. The bathroom sink shall have overflow, and optional soap dispenser hole on left (-L) or right (-R). The bathroom sink shall be Kohler Model K-_____-_____-_____.

MORNINGSIDE™

Recommended Accessories

K-8998	P-trap	<input type="checkbox"/> CP
K-7131-A	Offset drain	<input type="checkbox"/> CP

Technical Information

Fixture*:	
Basin area	14" (356 mm) x 13" (330 mm)
Water depth	2-5/8" (67 mm)
Drain hole	Ø 1-3/4" (44 mm)
*Approximate measurements for comparison only.	

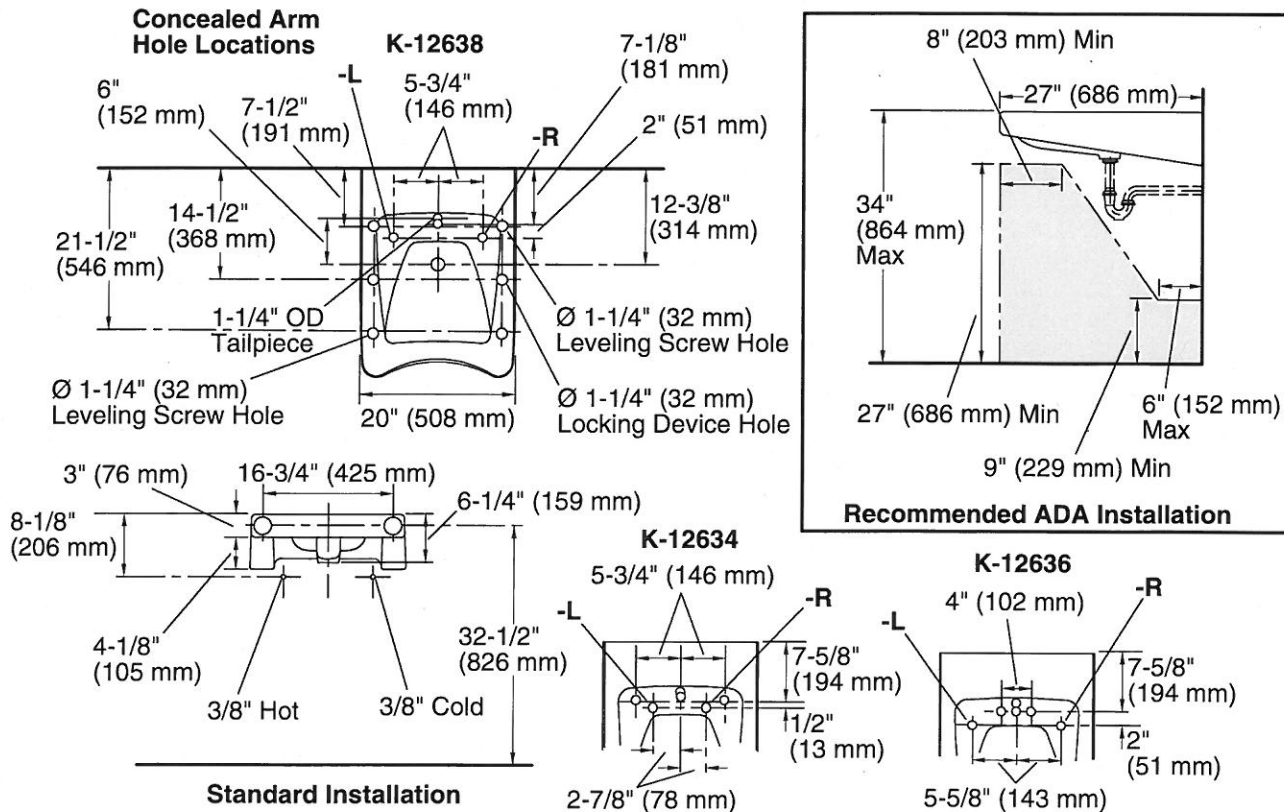
Holes	K-12634	K-12636	K-12638
Spout	Ø 1-3/8" (35 mm)	Ø 1-1/4" (32 mm)	Ø 1-3/8" (35 mm)
Faucet	Ø 1-3/8" (35 mm)	Ø 1-1/4" (32 mm)	
Soap dispenser	Ø 1-1/4" (32 mm)		

Installation Notes

Will comply with **ADA** when installed per Section 606 Lavatories of the Act.

Will comply with **CSA B651** when installed per Clause 4.3.3 of the standard.

Will comply with **OBC** when installed per Clause 3.8.3.11.



Product Diagram

MORNINGSIDE™ WHEELCHAIR BATHROOM SINK

Page 2 of 2
105307-4-CH

THE BOLD LOOK
OF **KOHLER**®

PRODUCT DESCRIPTION

- Brass construction w/chrome plated finish
- 1" IPS supply
- 1-1/2" top spud

OPERATION

- Adjustable sensor eyes
- Battery powered (4) standard AA (included)
- Average battery life 250,000 cycles
- Self-diagnostic electronics
- Piston flushing mechanism
- Self cleaning filter system
- Low battery indicator light

FLOW

- Operating pressures 10 to 125 psi
- 1.28 gpf/4.8Lpf (gallons per flush)
- 24 hour sentinel flush
- Manual override button

VALVE

- 1" IPS angle stop (vandal resistant)
- Adjustable installation (left or right connection)

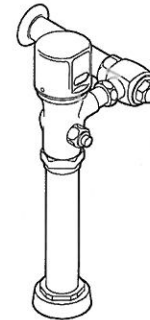
STANDARDS

- Third party certified by IAPMO and CSA to meet ASME A112.19.2M and all applicable requirements referenced therein and complies with requirements of ASSE 1037

- **ADA** 

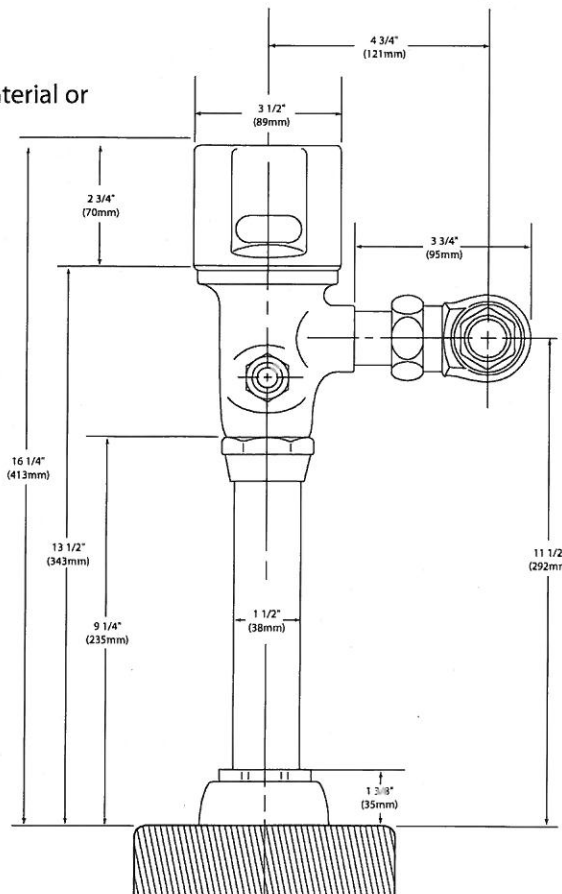
WARRANTY

- Warranted for 5 years against material or manufacture defects.



**1-1/2" Battery Powered Exposed Style
Closet Flush Valve**

Model: 8311



CRITICAL DIMENSIONS

(DO NOT SCALE)

PRODUCT DESCRIPTION

- Brass construction w/chrome plated finish
- 3/4" IPS supply
- 3/4" top spud

OPERATION

- Adjustable sensor eyes
- Battery powered (4) standard AA (included)
- Average battery life 250,000 cycles
- Self-diagnostic electronics
- Piston flushing mechanism
- Self cleaning filter system
- Low battery indicator light

FLOW

- Operating pressures 10 to 125 psi
- 0.125 gpf (gallons per flush)
- 24 hour sentinel flush
- Manual override button

VALVES

- 3/4" IPS angle stop (vandal resistant)
- Mechanical manual override button
- Adjustable installation (left or right connection)

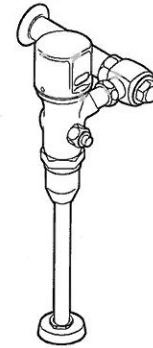
STANDARDS

- Third party certified by IAPMO to meet ASME A112.19.2M and all applicable requirements referenced therein and complies with requirements of ASSE 1037

- **ADA** 

WARRANTY

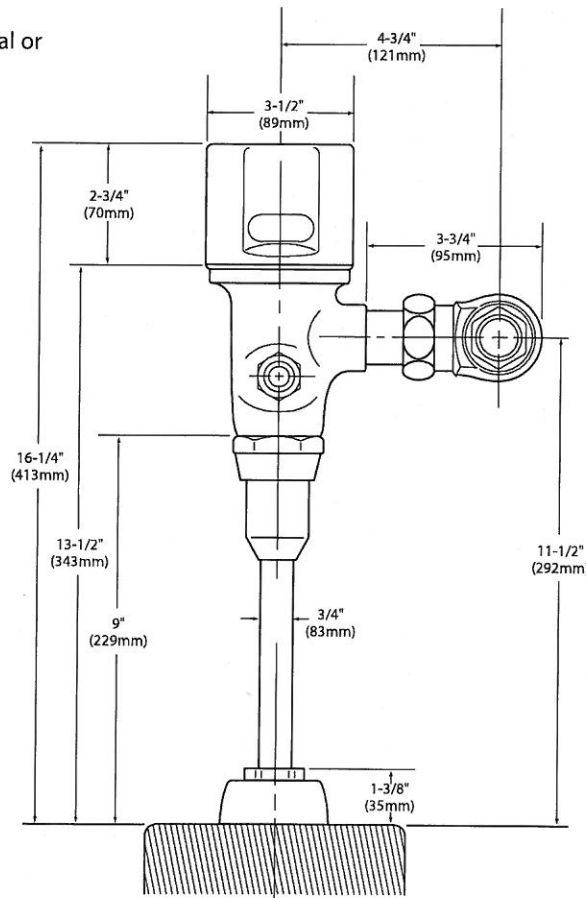
- Warranted for 5 years against material or manufacture defects.



**3/4" Battery Powered Exposed Style
Urinal Flush Valve**

Model: 8316

*** Intended for use with matching flow rates
as specified by the fixture manufacturer**



CRITICAL DIMENSIONS

(DO NOT SCALE)

DESCRIPTION

- Metal construction with chrome plated finish
- 2 piece clamshell design
- Modern styling
- Single mount
- Vandal resistant
- Flexible stainless steel supply tubes


OPERATION

- Self-adapting distant adjustment
- 30 second time-out feature
- Battery 4(AA) or AC powered
- Low battery indicator light
- Built-in mixing-manual on/off handle
- In-line filters included

FLOW

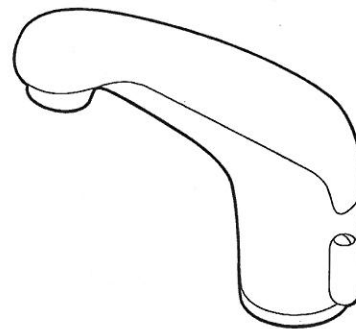
- Vandal resistant 0.5 gpm (1.9 L/min) aerator

STANDARDS

- Third party certified to meet CSA B-125, ASME A112.18.1M, ANSI A117.1 and all applicable requirements referenced therein
- Contains no more than 0.25% weighted average lead content
- Complies with California Proposition 65 and with the Federal Safe Drinking Water Act
- ADA  compliant

WARRANTY

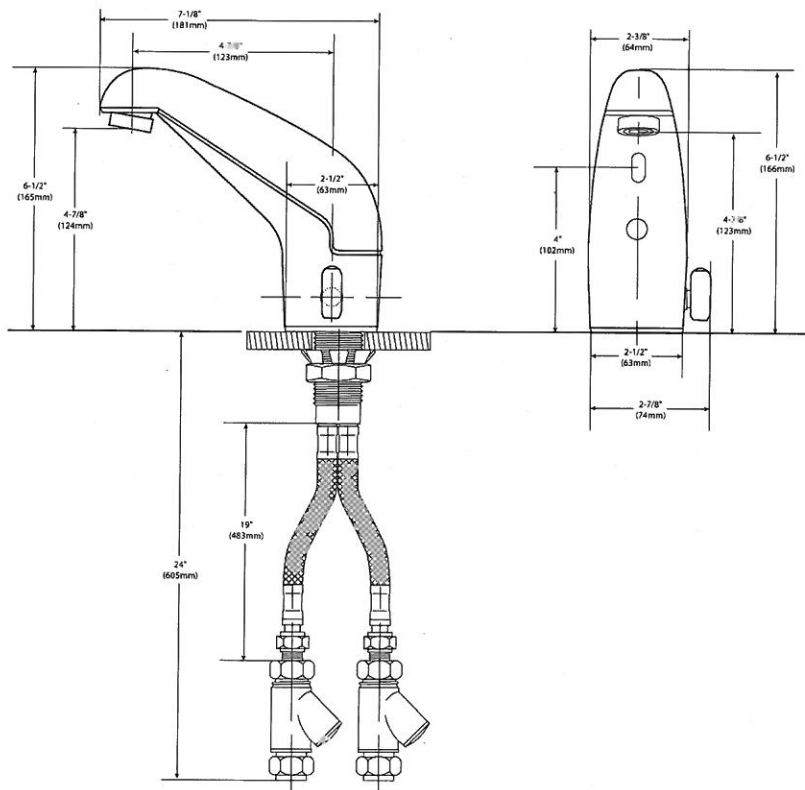
- Warranted for 5 years against material or manufacturer defects



Mixing Electronic Faucet

Model: CA8307 (Battery)
CA8308 (AC)

NOTE: DESIGNED TO BE INSTALLED THROUGH ONE HOLE 1-1/4" MIN. DIA.



CRITICAL DIMENSIONS

(DO NOT SCALE)