



REQUEST FOR PROPOSAL

Project Title: Cooley Laboratory Renovation
Location: Montana State University

PPA No.: 10-0023
RFP No.: 49
Date: May 15, 2012

To: Dick Anderson Construction
4498 Jackrabbit Lane
Bozeman, MT 59718

Attention: Platisha

From: Cecilia Vaniman, Project Manager
Cooley Lab Renovation
Montana State University

Attention:

In order to expedite the Work and avoid or minimize delays in the Work the following information is requested. Please return a response by: 05/23/2011
Date Sent: 05/16/2011
Date Received:

Proposal Requested:

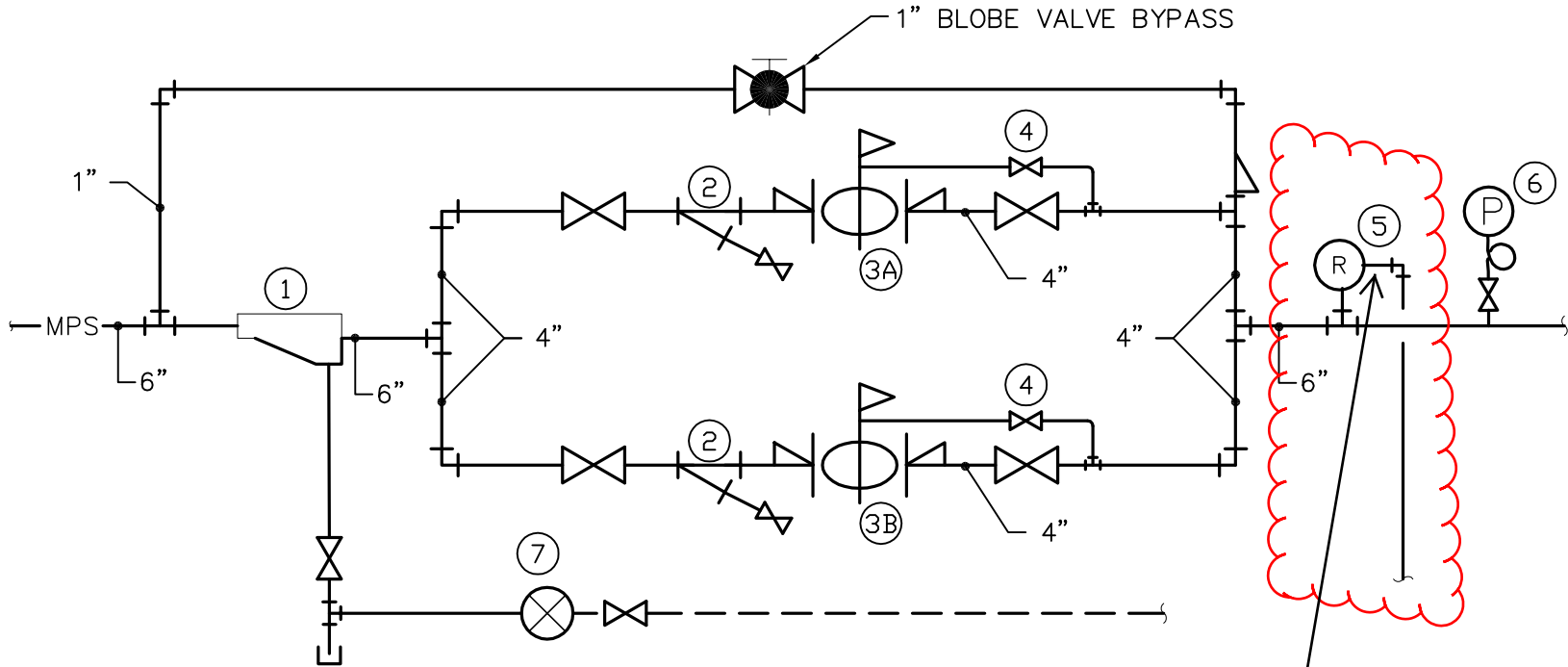
Delete Steam Relief Assembly:

PER THE ATTACHED SKETCH DELETE THE STEAM RELIEF ASSEMBLY AND ASSOCIATED PIPING FOR THE STEAM RELIEF ASSEMBLY.

1" DRAIN TO CONDENSATE RECEIVING TANK.

This RFP is for pricing purposes only. The contractor shall not proceed with the scope of work described within until pricing is approved by the owner in writing.

Distribution: [] Owner [] Agency [x] Architect [x] Contractor [] Engineer [] Other



- ① SARCO S3 SEPARATOR – 6" SIZE
- ② 'Y' STRAINER – LAID ON SIDE W/ PETCOCK BLOWDOWN
- ③A PRESSURE REDUCING VALVE – PRV-1
- ③B PRESSURE REDUCING VALVE – PRV-2
- ④ PILOT LINE
- ⑤ 15 PSIG ASME STEAM RELIEF VALVE. PIPE 1" DRAIN INTO THE CONDENSATE RECEIVER VENT LINE
- ⑥ STEAM PRESSURE GAGE W/ SIPHON COIL
- ⑦ E.O.M. DRIP ASSY. ST-10 SEE 3
M3.1

DELETE FROM PROJECT

4 **MEDIUM PRESSURE STEAM P.R.V. ASSEMBLY**
NO SCALE