

RFI 17

Project: COOLEY LABORATORY RENOVATION
Job: 3146 COOLEY LAB, PPA# 10-0023
Customer: STOFMT MSU BOZEMAN

POTENTIAL IMPACTS

Cost Impact: No
Schedule Impact: No

Issued To: CONSTRUCTION MANAGEMENT SERV.
P.O. BOX 7274
BOZEMAN, MT 59715

Attention: DONALD J. PLATISHA
Phone/Fax: 406 585-0611 / 406 585-2698

Coordination copies to:

Item: DOOR GLAZING

Type: ARCH/STRUC

Reference: A9.3, A9.4

Spec. Section:

Attachments:

Description of Request

QUESTION:

The glazing for GL-5 calls for 1 7/16" thick glass Pyrostop glass. The vision lite kits for the wood and hollow metal doors can only accept a 1" thick glass.

RECOMMENDATION:

We would recommend changing from Pyrostop glass to 5/16" Firelite Plus with Pemko intumescent tape for GL-5 which per our glazing installer will give us a 90 minute rating. We would make the same recommendation with GL-3 to keep the fire rated glass from the same manufacturer.

Respond By: 08/18/11 By: TIM THOLT

Response

The use of Firelite Plus for GL-3 and GL-5 is acceptable. The issue is providing a complete system that provides the specified performance/rating.

Ensure that the installation includes whatever stops required by Firelite Plus for the fire ratings specified. Explain the use of Pemko intumescent tape when you submit the glazing for review.

F.J. di Stefano

Signed: _____

Date: 8-11-11

Proceed as Indicated: _____

Date: _____

Owner Authorized Representative

* dhu *

FAX TRANSMITTAL FORM

* dhu *

dhu**DOORS & HARDWARE UNLIMITED, INC.**

4125 NORTH STAR BLVD.

GREAT FALLS, MONTANA 59405

PHONE: 1-406-761-4465 FAX 1-406-761-4638

DATE: 8-15-11NUMBER OF PAGES - INCLUDING COVER SHEET: 3**TO:**FAX # 406-756-3409COMPANY NAME: ARCHITECT DESIGN GROUPATTENTION: FRANK**FROM:**NAME: DW

IN ANY OF THE PAGES ARE NOT LEGIBLE, OR YOU DO NOT RECEIVE ALL OF THE PAGES,
PLEASE CALL THE SENDER AT 1-406-761-4465. THANK YOU.

COOLEY LAB

THIS IS WHAT THE PEMKO GLAZING TAPES LOOK LIKE.

YOU CAN USE THE FIRELITE - PLUS - 5/16" OR THE
FIRELITE - NT - 3/16" - BOTH WILL WORK, BUT THE

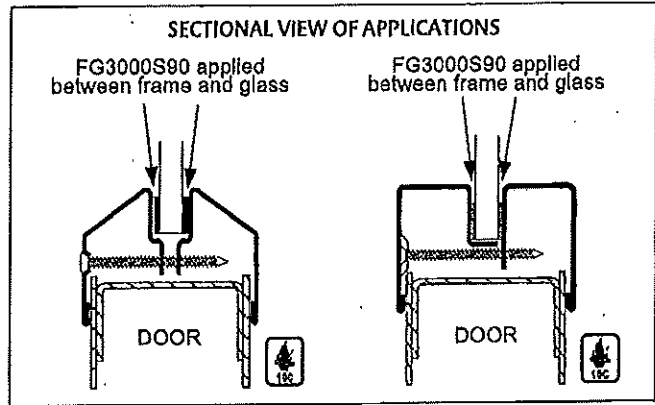
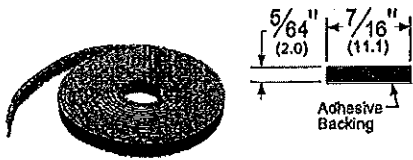
FIRELITE - NT - 3/16" IS CHEAPER.

LITES & LOUVERS

■ FG3000S90 Fire Glazing Tape in 90-Minute Hollow Metal Door — Metal Vision Frame Applications

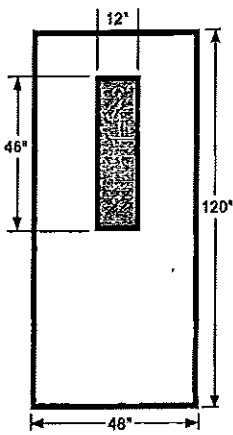
- Verify all applications with your door and/or frame manufacturer.
- For exterior fire-rated applications, seal against moisture using industry standard methods.

FG3000S90 
 AVAILABLE LENGTHS: 8', 16'

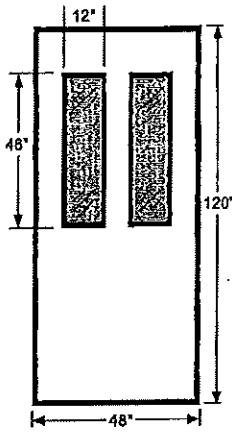


TECHNICAL DATA FOR 90-MINUTE HOLLOW METAL DOORS EQUIPPED WITH FG3000S90 (METAL VISION FRAME, SINGLE AND MULTIPLE LITE APPLICATIONS)

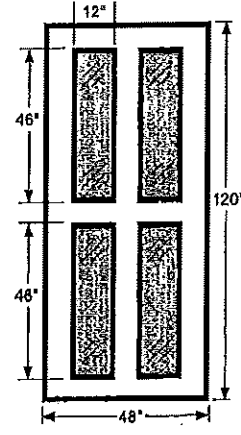
LITE CONFIGURATIONS



Single Vision Lite



Multiple Vision Lites



Multiple Vision Lites

The maximum visible glass area allowed for single lites is 12" wide x 46" high or 552 square inches per vision lite; for multiple lites, the largest approved door configuration is two (2) vision lites at 12" wide x 46" high above two (2) vision lites at 12" wide x 46" high (as shown at far right). No more than four (4) lites are allowed per door, and the combined total visible glass area allowed is 2,208 square inches per door.

Lite Specifications	Door Specifications	Listing/Labeling Specifications
<p>MAXIMUM DIMENSIONS (Single Lite): 12" wide x 46" high, 552 square inches per lite</p> <p>MAXIMUM COMBINED DIMENSIONS (Multiple Lites): Multiple vision lites are allowed in 90-minute doors, but the combined total visible glass area allowed is 2,208 square inches per door. No more than four (4) lites are allowed per door. The largest approved configuration is two (2) vision lites at 12" wide x 46" high above two vision lites at 12" wide x 46" high.</p>	<p>MAXIMUM DIMENSIONS: For 90-minute doors, the maximum hollow metal door size is 48" x 120" single, pairs approved.</p>	<ul style="list-style-type: none"> • Door and frame must be manufactured by companies that are classified by Underwriters Laboratories Inc.® for the manufacturing and labeling of hollow metal fire doors. Warnock Hersey (I.T.S.) listings are also available through participating hollow metal manufacturers. • Listed Glazing Products include: <ul style="list-style-type: none"> • Wire Glazing: Pilkington, Asahi and Central Glass • Non-Wire Glazing: Firelite®, Pilkington Pyrostop, Pilkington Pyroshield® Plus (FGL3000 required), PyroDur® (20 minute). • Individual door and frame manufacturers' modification procedures may vary slightly from the size listings shown.



VENTURA, CA USA
 PH. 800.283.9988

MEMPHIS, TN USA
 PH. 800.824.3018

VANCOUVER, BC CANADA
 PH. 877.535.7888

TORONTO, ON CANADA
 PH. 866.243.9816

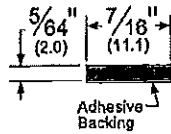
LL-14

LITES & LOUVERS

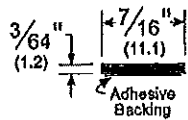
FG3000S90 Fire Glazing Tape in 60- and 90-Minute Wood Doors — Metal Vision Frame Applications

- Verify all applications with your door and/or frame manufacturer.
- For exterior fire-rated applications, a clear silicone caulk is recommended for water proofing.

FG3000S90 
 AVAILABLE LENGTHS: 8', 16'

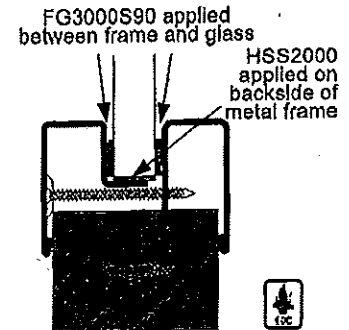


HSS2000  



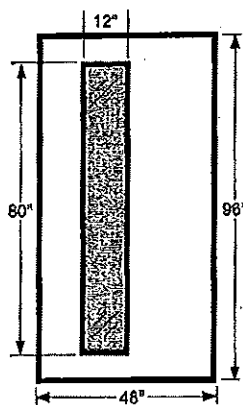
HSS2000 is required to be installed with FG3000S90 for positive pressure applications only. For more information about HSS2000, please see the Adhesive Gasketing section.

SECTIONAL VIEW OF APPLICATIONS

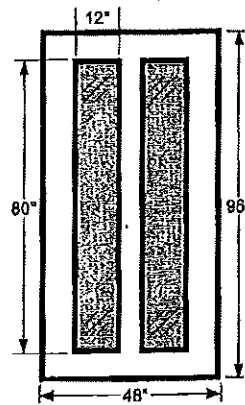


TECHNICAL DATA FOR 60- AND 90-MINUTE WOOD DOORS EQUIPPED WITH FG3000S90 & HSS2000 (METAL VISION FRAME, SINGLE AND MULTIPLE LITE APPLICATIONS)

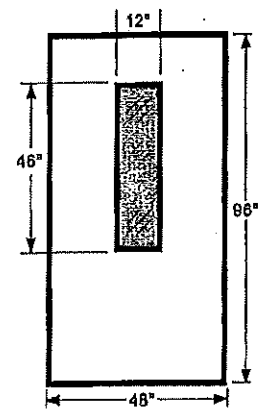
LITE CONFIGURATIONS



Single Vision Lite, 60-Minute Door



Multiple Vision Lites, 60-Minute Door



Single Vision Lite, 90-Minute Door

The maximum visible glass area allowed for 60-minute single lites is 12" wide x 80" high or 960 square inches per vision lite; 90-minute doors are allowed a maximum visible glass area of 12" wide x 46" high or 552 square inches per vision lite. Multiple lites (allowed on 60-minute doors only) have a maximum combined visible glass area of 1,920 square inches per door.

Lite Specifications	Door Specifications	Listing/Labeling Specifications
<p>MAXIMUM DIMENSIONS (Single Lite, 60-Minute): 12" wide x 80" high; 960 square inches per lite</p> <p>MAXIMUM DIMENSIONS (Single Lite, 90-Minute): 12" wide x 46" high; 552 square inches per lite</p> <p>MAXIMUM COMBINED DIMENSIONS (Multiple Lites, 60-Minute): Multiple vision lites are allowed in 60-minute doors only; the combined total visible glass area allowed is 1,920 square inches per door.</p>	<p>MAXIMUM DIMENSIONS: For both 60-minute and 90-minute doors, the maximum wood door size is 48" x 96" single, pairs approved.</p>	<ul style="list-style-type: none"> • Door must be manufactured by companies that are classified by Underwriters Laboratories Inc.® for the manufacturing and labeling of hollow metal fire doors. Warnock Hersey (I.T.S.) listings are also available through participating hollow metal manufacturers. • Listed Glazing Products Include: <ul style="list-style-type: none"> • Wire Glazing: Pilkington, Asahi and Central Glass • Non-Wire Glazing: Firelite®, Pilkington Pyrostop, Pilkington Pyroshield® Plus (FGL3000 required), PyroDun® (20 minute). • Individual door and frame manufacturers' modification procedures may vary slightly from the size listings shown. • HSS2000 is required on Positive Pressure applications only.